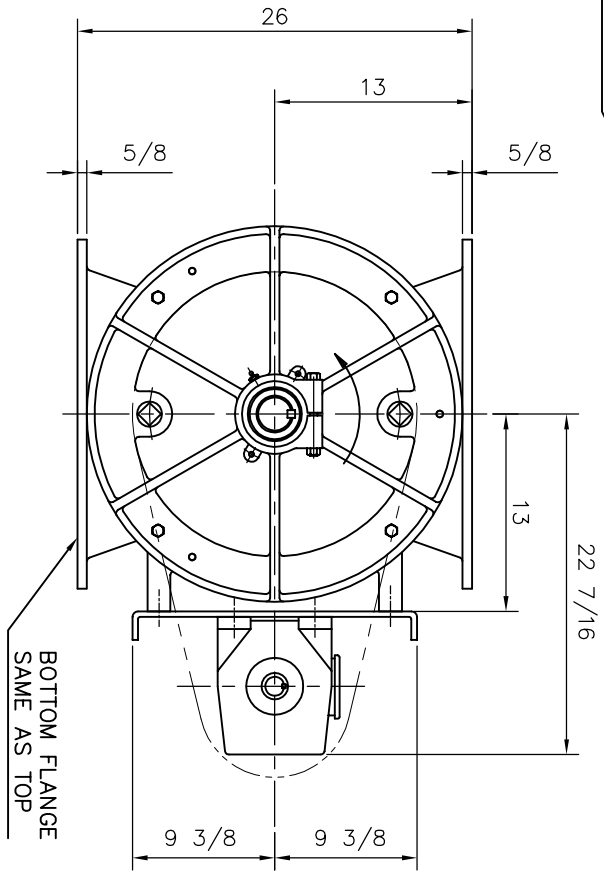


ANDRITZ SPROUT-BAUER  
 2018MST ROTARY VALVE  
 WITH 2 HP GEARMOTOR  
 APPROXIMATE WEIGHT  
 VALVE - 1132 LBS.  
 DRIVE - 255 LBS



07-1-003	TOLERANCING PRACTICES	Supplemental Documents
ALL DIMENSIONS ARE IN INCHES		
3RD ANGLE		
THIS DRAWING IS THE CONFIDENTIAL AND PROPRIETARY INFORMATION OF ANDRITZ INC, ANDRITZ LTD., AND/OR ANDRITZ AG ("ANDRITZ"). ANY PARTY ACCEPTING RECEIPT OF THIS DRAWING DOES SO ON THE EXPRESS UNDERSTANDING AND AGREEMENT THAT IT WILL NEITHER COPY, REPRODUCE AND DISCLOSE TO THIRD PARTIES OR USE THIS DRAWING FOR ANY PURPOSE OTHER THAN THOSE EXPRESSLY AGREED TO BY ANDRITZ IN WRITING.		

Order Number	Order	Revision	Quadrant, Description	Revision Approved
		A	NEW RELEASE DRAWING	13JAN2004
		Rev	Name	Date
		Drawn	DRB	13JAN2004
		Checked	DRB	
		Checked	RCS	
		Cad		
Scale	Drawing Title	Drawing Number	Product Code	Sheet
1:8	2018MST ROTARY VALVE WITH 2 HP GEARMOTOR	C33338-025	c33338-025_01.dwg	1 of 1
	CAD Drawing - Do Not Revise Manually		Group Number	
	Material/Material #	Weight: Lbs.	VE1	

