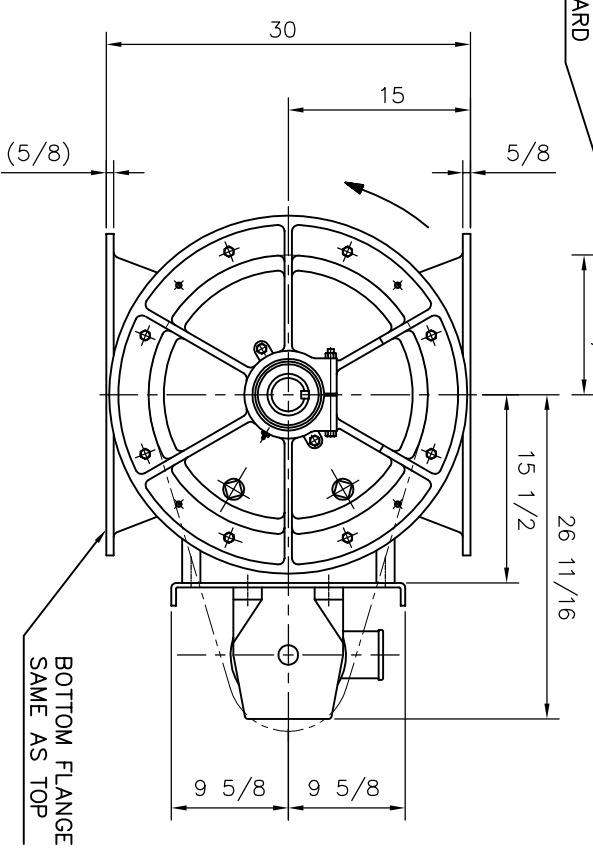


ANDRITZ SPROUT-BAUER
2422MST ROTARY VALVE
WITH 3 HP GEARMOTOR
APPROXIMATE WEIGHT
VALVE - 2285 LBS.
DRIVE - 275 LBS.



07-1-003 TOLERANCING PRACTICES
Supplemental Documents
ALL DIMENSIONS ARE IN INCHES
3RD ANGLE

THIS DRAWING IS THE CONFIDENTIAL AND PROPRIETARY INFORMATION OF ANDRITZ INC, ANDRITZ LTD., AND/OR ANDRITZ AG ("ANDRITZ"). ANY PARTY ACCEPTING RECEIPT OF THIS DRAWING DOES SO ON THE EXPRESS UNDERSTANDING AND AGREEMENT THAT IT WILL NEITHER COPY, REPRODUCE AND DISCLOSE TO THIRD PARTIES OR USE THIS DRAWING FOR ANY PURPOSE OTHER THAN THOSE EXPRESSLY AGREED TO BY ANDRITZ IN WRITING.

Order Number		Order		Revision		Quadrant, Description		Revision Approved	
13JAN2004	DRB	NEW RELEASE DRAWING		A	13JAN2004	DRB			
13JAN2004	DRB			Rev	Date	Name		Date	Name
13JAN2004	DRB			Drawn	13JAN2004	DRB			
13JAN2004	DRB			Checked					
13JAN2004	RCS			Checked					
13JAN2004	RCS			Checked					
13JAN2004	RCS			Code					
1:10	Scale	Drawing Title	2422MST ROTARY VALVE WITH 3 HP GEARMOTOR	Drawing Number	C3327-024	Sheet	1	of	1
	Material/Material #	CAD Drawing - Do Not Revise Manually		CAD Filename	c3327-024_01.dwg	DOR/DCN	A		
	Weight: Lbs.			Product Code	VF1	Group Number			



A B C D 4 3 2 1

DISTRIBUTION 2V B C D