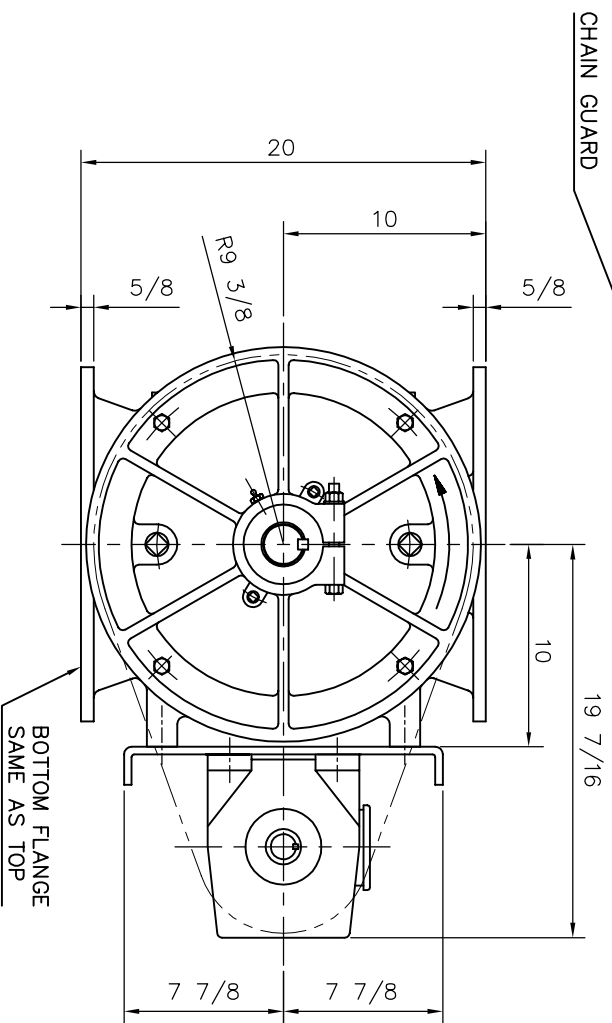


ANDRITZ SPROUT-BAUER
 1614MST ROTARY VALVE
 WITH 1-1/2 HP GEARMOTOR
 APPROXIMATE WEIGHT
 VALVE - 640 LBS.
 DRIVE - 240 LBS.



A

B

C

D

4

3

2

1

07-1-003 TOLERANCING PRACTICES	
Supplemental Documents	
ALL DIMENSIONS ARE IN INCHES	
3RD ANGLE	
THIS DRAWING IS THE CONFIDENTIAL AND PROPRIETARY INFORMATION OF ANDRITZ INC, ANDRITZ LTD., AND/OR ANDRITZ AG ("ANDRITZ"). ANY PARTY ACCEPTING RECEIPT OF THIS DRAWING DOES SO ON THE EXPRESS UNDERSTANDING AND AGREEMENT THAT IT WILL NEITHER COPY, REPRODUCE AND DISCLOSE TO THIRD PARTIES OR USE THIS DRAWING FOR ANY PURPOSE OTHER THAN THOSE EXPRESSLY AGREED TO BY ANDRITZ IN WRITING.	

Order Number	Order	Revision	Revision Approved
		A	13JAN2004
		Rev	Date
		Drawn	13JAN2004
		Checked	DRB
		Checked	DRB
		Checked	RCS
		Cad	13JAN2004
		Scale	1:6
		Drawing Title	1614MST ROTARY VALVE WITH 1-1/2 HP GEARMOTOR
		CAD Drawing - Do Not Revise Manually	
		Material/Material #	
		Weight: Lbs.	
		Drawing Number	C0330-137
		Drawing Name	C0330-137.dwg
		Product Code	VD1
		Group Number	
		Sheet	1
		of	1



2V

B

C

D

DISTRIBUTION