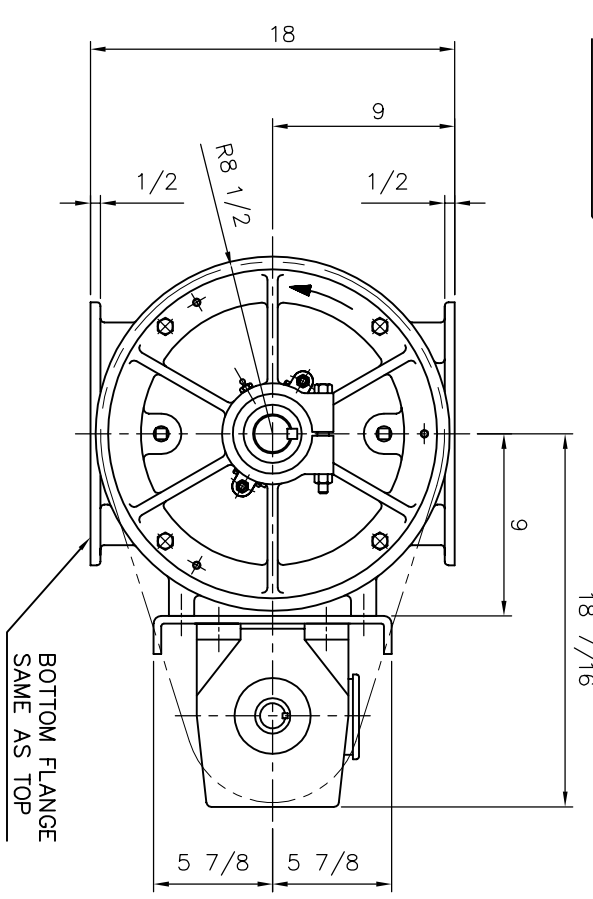


ANDRITZ SPROUT-BAUER  
1410MST ROTARY VALVE  
WITH 1 HP GEARMOTOR

APPROXIMATE WEIGHT  
VALVE - 443 LBS.  
DRIVE - 200 LBS.



07-1-003	TOLERANCING PRACTICES	Supplemental Documents
	ALL DIMENSIONS ARE IN INCHES	
	3RD ANGLE	

THIS DRAWING IS THE CONFIDENTIAL AND PROPRIETARY INFORMATION OF ANDRITZ INC, ANDRITZ LTD., AND/OR ANDRITZ AG ("ANDRITZ"). ANY PARTY ACCEPTING RECEIPT OF THIS DRAWING DOES SO ON THE EXPRESS UNDERSTANDING AND AGREEMENT THAT IT WILL NEITHER COPY, REPRODUCE OR DISCLOSE TO THIRD PARTIES OR USE THIS DRAWING FOR ANY PURPOSE OTHER THAN THOSE EXPRESSLY AGREED TO BY ANDRITZ IN WRITING.

Order Number	Order	Revision	NEW RELEASE DRAWING	Revision Approved	13JAN2004	DRB
		Rev				
		Date				
		Name				
		Drawn	DRB			
		Checked	DRB			
		Checked	RCS			
		Cad				
		Scale	1:6			
		Drawing Title	1410MST ROTARY VALVE WITH 1 HP GEARMOTOR			
		CAD Drawing - Do Not Revise Manually				
		Material/Material #				
		Weight: Lbs.				
		Drawing Number	C0328-263			
		Drawing File Name	c0328-263_01.dwg			
		Product Code	DOR/DCN			
		Group Number				
		Sheet	1			
		of	1			



A B C D

4 3 2 1

DISTRIBUTION 2V B C D