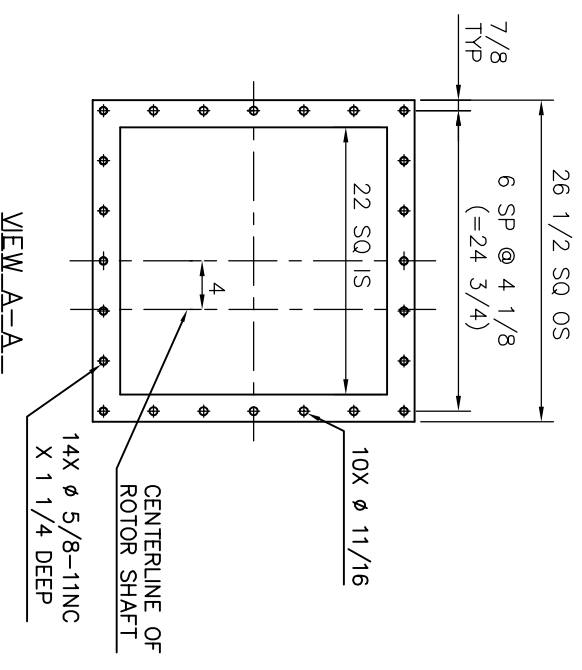
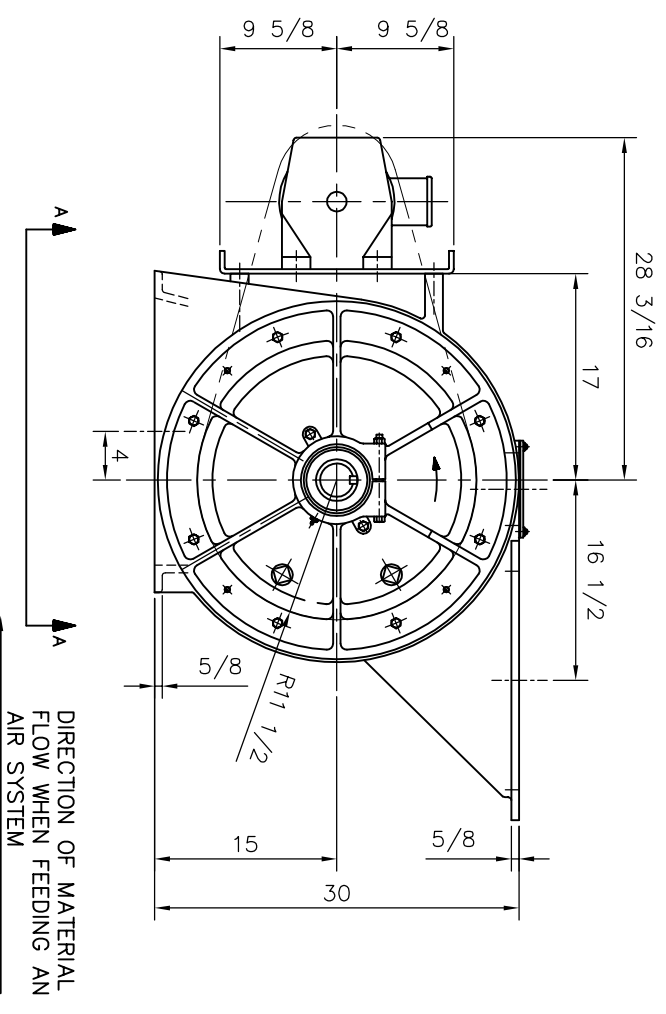


ANDRITZ SPROUT-BAUER
2422MSI ROTARY VALVE
APPROXIMATE WEIGHT
VALVE - 2285 LBS.
DRIVE - 275 LBS.



07-1-003 TOLERANCING PRACTICES
Supplemental Documents
ALL DIMENSIONS ARE IN INCHES
3RD ANGLE
DIRECTION OF MATERIAL FLOW WHEN FEEDING AN AIR SYSTEM

Order Number	Order	Revision	Rev	Date	Name	Quadrant, Description	Revision Approved	Date	Name
		A	04FEB2004		DRB	NEW RELEASE DRAWING	04FEB2004		DRB
		Down	04FEB2004		DRB				
		Checked	04FEB2004		DRB				
		Checked	04FEB2004		RCS				
Drawing Title		Scale		Drawing Number		Dotdash Reference		Sheet	
2422MSI ROTARY VALVE WITH 3 HP DRIVE		1:10		C3327-025		DOR/DCN		1 of 1	
CAD Drawing - Do Not Revise Manually		CAD Filename		Product Code		Group Number			
Weight: Lbs.		VM1							

DISTRIBUTION 2V